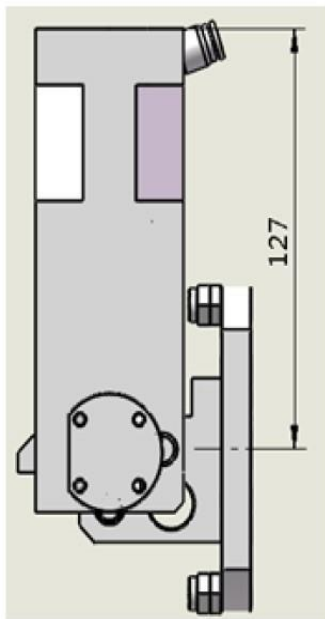


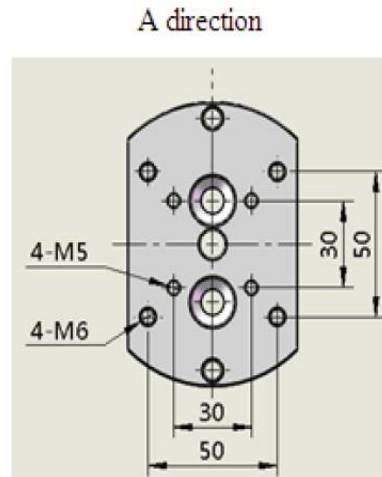


Standard for MaxA05, MaxAW05, MaxBW06, MaxBW08, MaxBW10, MaxCW10

1.3 40# cylinder diameter (Euro design) PPRM-40WL, weight 1.0Kg, rated torque 12 N.m



A
direction
←

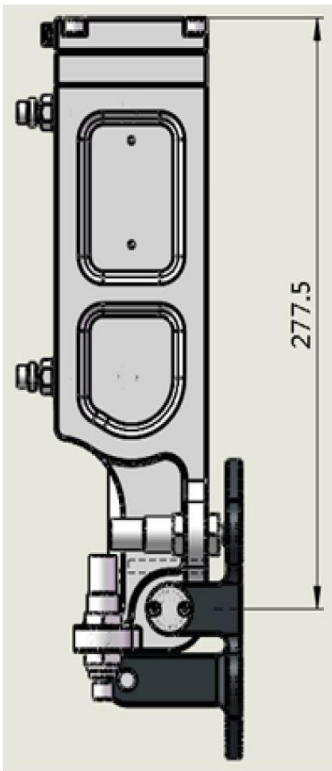


Questions or Comments?
Please Contact Absolute Robot Inc.

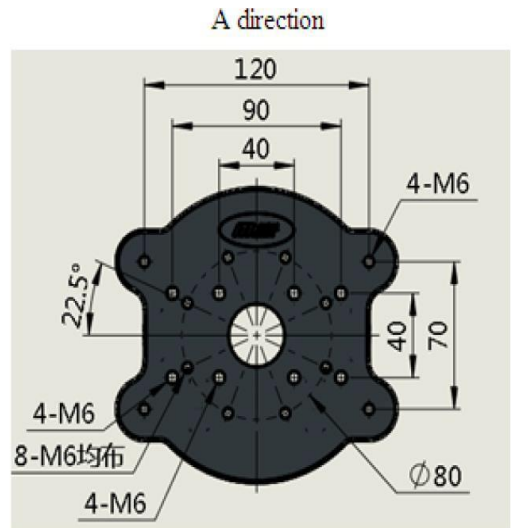
Absolute Robot Inc.
(508) 792-4305
service@absoluterobot.com
www.absoluterobot.com

Standard for MaxBW15, MaxCW15

1.4 50# cylinder diameter (Old design), weight 5.4Kg, rated torque 21.5 N.m

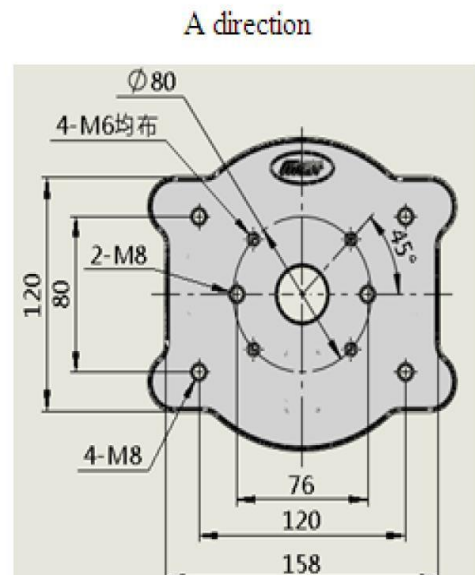
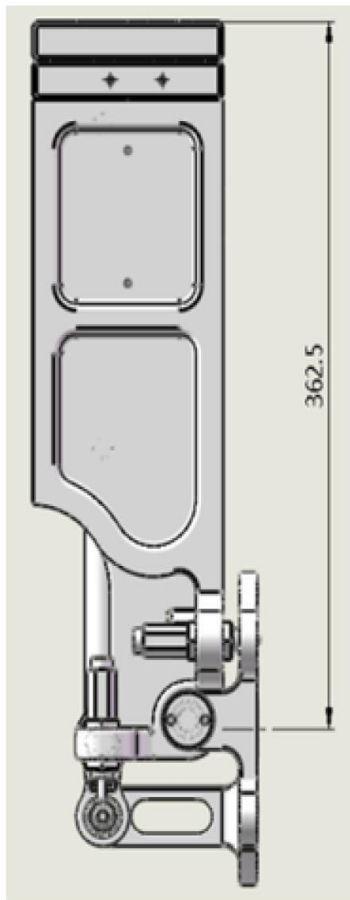


A
direction
←



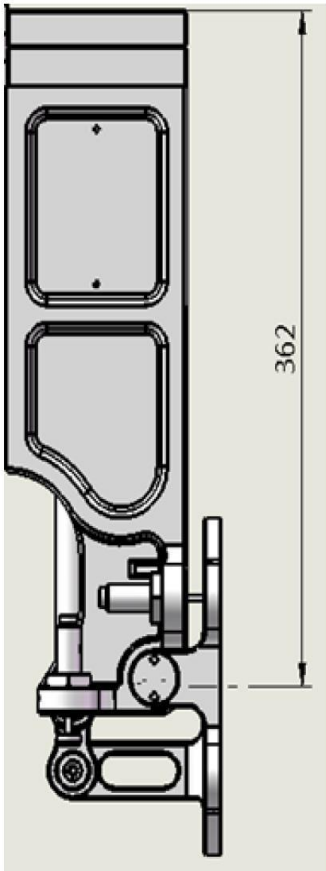
Standard for MaxBW25, MaxCW25

1.5 63# cylinder diameter (single cylinder), weight 7.6Kg, rated torque 55.8 N.m

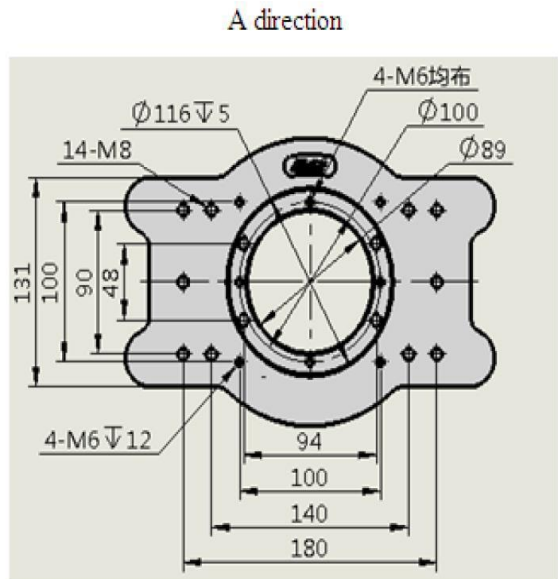


Standard for MaxCW35, MaxCW50

1.6 63# cylinder diameter (Double cylinder), weight 13.8Kg, rated torque 111.6 N.m



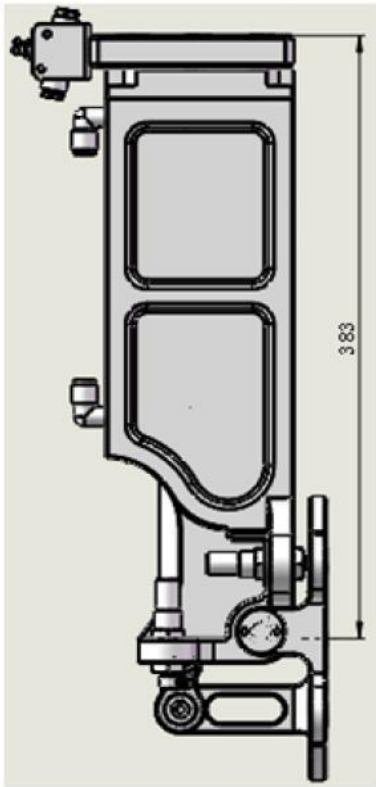
A
direction
←



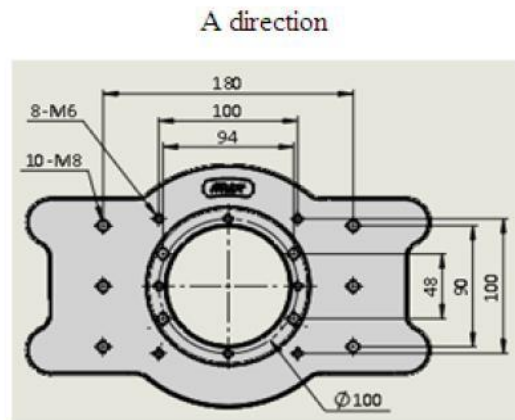


Standard for MaxCW80

1.6 80# cylinder diameter (Double cylinder), weight 18.6Kg, rated torque 175 N.m



A
direction
←



Questions or Comments?
Please Contact Absolute Robot Inc.

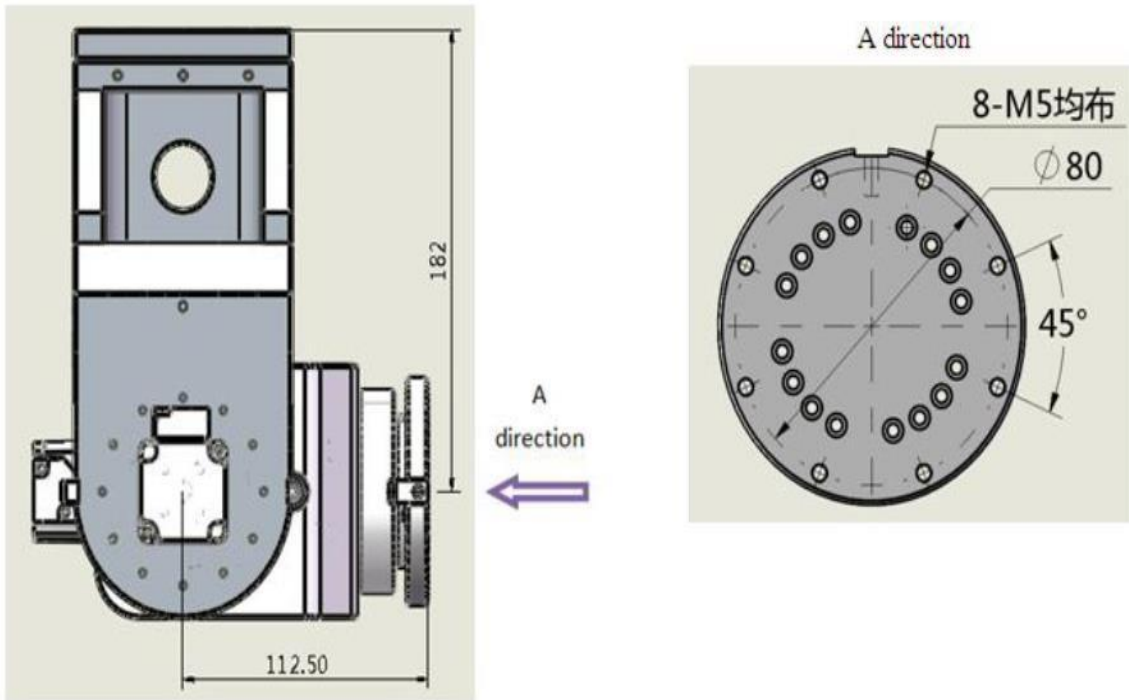
Absolute Robot Inc.
(508) 792-4305
service@absoluterobot.com
www.absoluterobot.com



L-Style A+C Servo (100W) for MaxBW08, MaxBW10, MaxBW15, MaxCW10, MaxCW15

3 Standard Servo A+C

3.1 Servo A+C (100W) L type, weight 6.2Kg, rated torque A: 25 N.m, C: 20 N.m



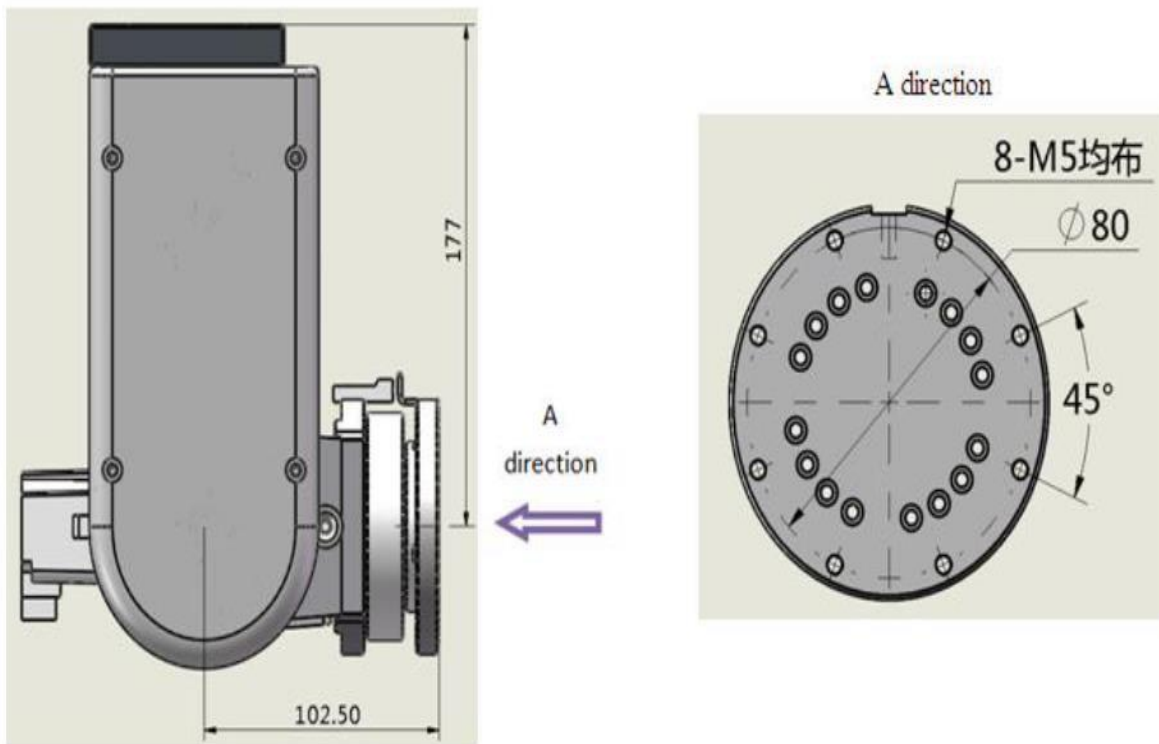
Questions or Comments?
Please Contact Absolute Robot Inc.

Absolute Robot Inc.
(508) 792-4305
service@absoluterobot.com
www.absoluterobot.com



H-Style A+C Servo (100W) for MaxBW08, MaxBW10, MaxBW15, MaxCW10, MaxCW15

3.2 Servo A+C (100W) H type, weight 6.3Kg, rated torque A: 25 N.m, C: 20 N.m



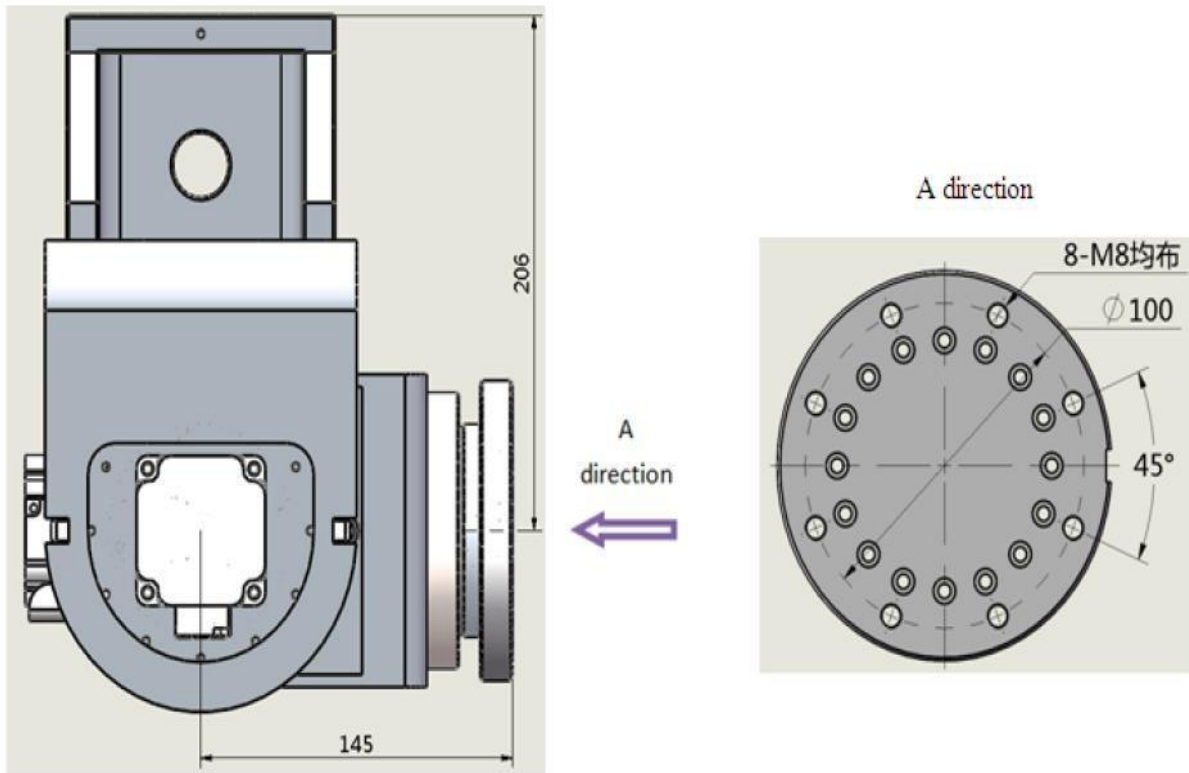
Questions or Comments?
Please Contact Absolute Robot Inc.

Absolute Robot Inc.
(508) 792-4305
service@absoluterobot.com
www.absoluterobot.com



L-Style A+C Servo (400W) for MaxBW25, MaxCW25

3.3 Servo A+C (400W) L type, weight 14.2Kg, rated torque A: 120 N.m, C: 115 N.m



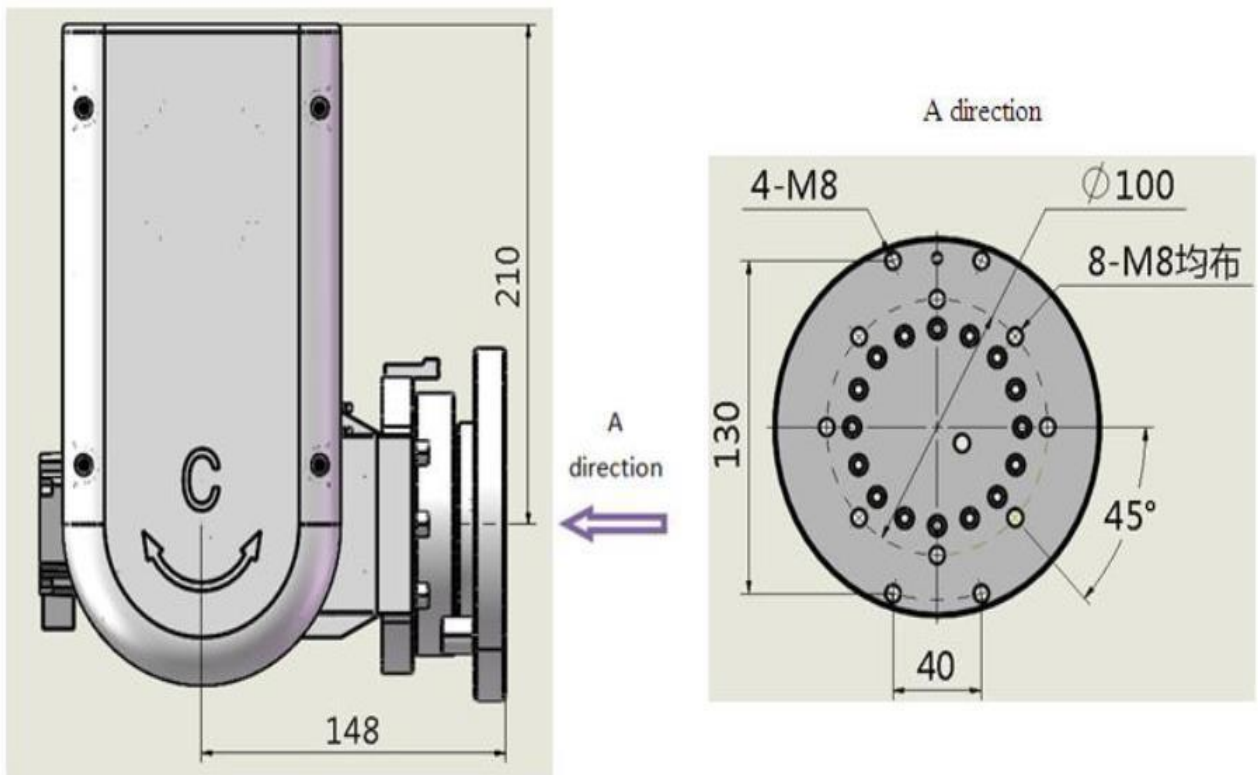
Questions or Comments?
Please Contact Absolute Robot Inc.

Absolute Robot Inc.
(508) 792-4305
service@absoluterobot.com
www.absoluterobot.com



H-Style A+C Servo (400W) for MaxBW25, MaxCW25

3.4 Servo A+C (400W) H type, weight 19.2Kg, rated torque A: 120 N.m, C: 115 N.m



Questions or Comments?
Please Contact Absolute Robot Inc.

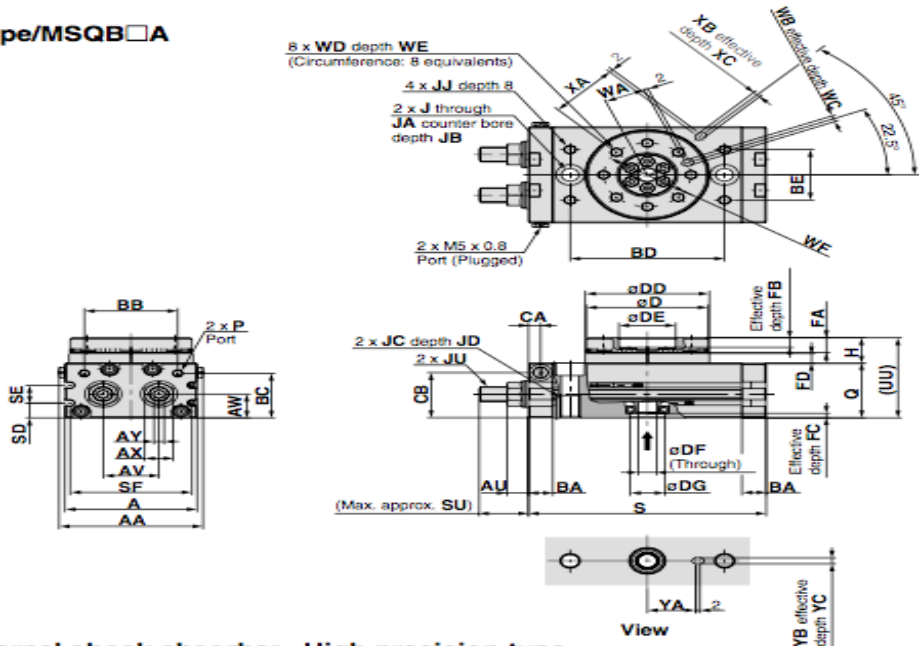
Absolute Robot Inc.
(508) 792-4305
service@absoluterobot.com
www.absoluterobot.com



Wrist Rotate Mounting for MSQB20R (MaxA05, MaxAW05) MSQB30R (MaxBW08, MaxBW10, MaxCW10) MSQB50R (MaxBW15, MaxCW15)

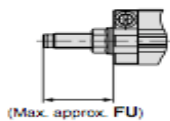
Dimensions/Size 10, 20, 30, 50

Basic type/MSQB□A



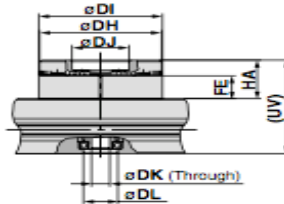
With internal shock absorber
MSQA□R
MSQB□R

High precision type
MSQA□A/With adjustment bolt
MSQA□R/With internal shock absorber



(Max. approx. FU)

Size	FU
10	31.5
20	34.7
30	34.7
50	51.7



Size	DH	DI	DJ	DK	DL	FE	HA	UV
10	45h8	46h8	20H8	5	15H8	10	18.5	52.5
20	60h8	61h8	28H8	9	17H8	15.5	26	63
30	65h8	67h8	32H8	9	22H8	16.5	27	67
50	75h8	77h8	35H8	10	26H8	17.5	30	76

Size	AA	A	AU	AV	AW	AX	AY	BA	BB	BC	BD	BE	CA	CB	D	DD	DE	DF	DG	FA	FB	FC	FD	H	J	JA	JB
10	55.4	50	8.6	20	15.5	12	4	9.5	34.5	27.8	60	27	4.5	28.5	45h9	48h9	20H9	5	15H9	8	4	3	4.5	13	6.8	11	6.5
20	70.8	65	10.6	27.5	16	14	5	12	46	30	76	34	6	30.5	60h9	61h9	28H9	9	17H9	10	6	2.5	6.5	17	8.6	14	8.5
30	75.4	70	10.6	29	18.5	14	5	12	50	32	84	37	6.5	33.5	65h9	67h9	32H9	9	22H9	10	4.5	3	6.5	17	8.6	14	8.5
50	85.4	80	14	38	22	19	6	15.5	63	37.5	100	50	10	37.5	75h9	77h9	35H9	10	26H9	12	5	3	7.5	20	10.5	18	10.5

Size	JC	JD	JJ	JU	P	Q	S	SD	SE	SF	SU	UU	WA	WB	WC	WD	WE	WF	XA	XB	XC	YA	YB	YC
10	M8 x 1.25	12	M5 x 0.8	M8 x 1	M5 x 0.8	34	92	9	13	45	17.7	47	15	3H9	3.5	M5 x 0.8	8	32	27	3H9	3.5	19	3H9	3.5
20	M10 x 1.5	15	M6 x 1	M10 x 1	M5 x 0.8	37	117	10	12	60	25	54	20.5	4H9	4.5	M6 x 1	10	43	36	4H9	4.5	24	4H9	4.5
30	M10 x 1.5	15	M6 x 1	M10 x 1	Rc 1/8"	40	127	11.5	14	65	25	57	23	4H9	4.5	M6 x 1	10	48	39	4H9	4.5	28	4H9	4.5
50	M12 x 1.75	18	M8 x 1.25	M14 x 1.5	Rc 1/8"	46	152	14.5	15	75	31.4	66	26.5	5H9	5.5	M8 x 1.25	12	55	45	5H9	5.5	33	5H9	5.5

* In addition to Rc 1/8, G 1/8 and NPT 1/8 are also available.

Absolute Robot Inc.
(508) 792-4305

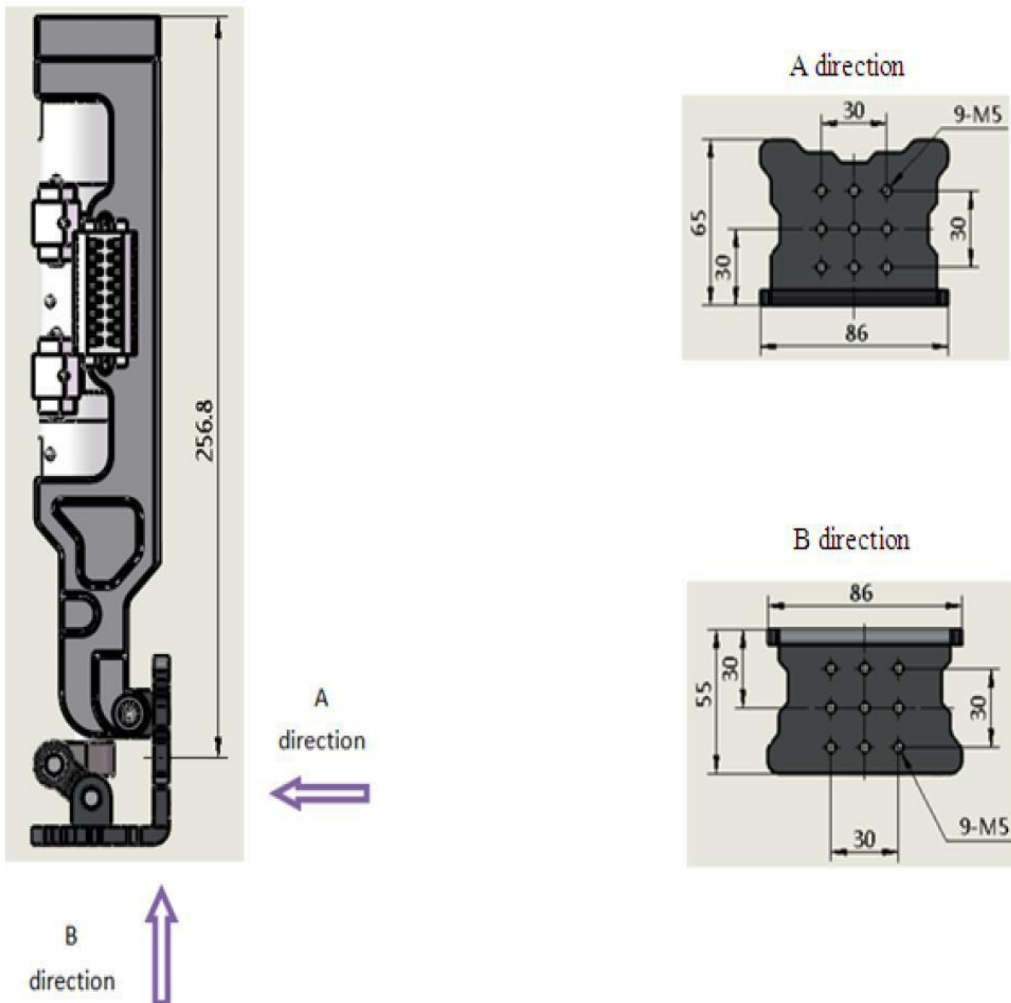
service@absoluterobot.com
www.absoluterobot.com

Questions or Comments?
Please Contact Absolute Robot Inc.

Standard for STA, STAW, STBW-I (Optional for MaxA05, MaxAW05)

1. Standard pneumatic C axis

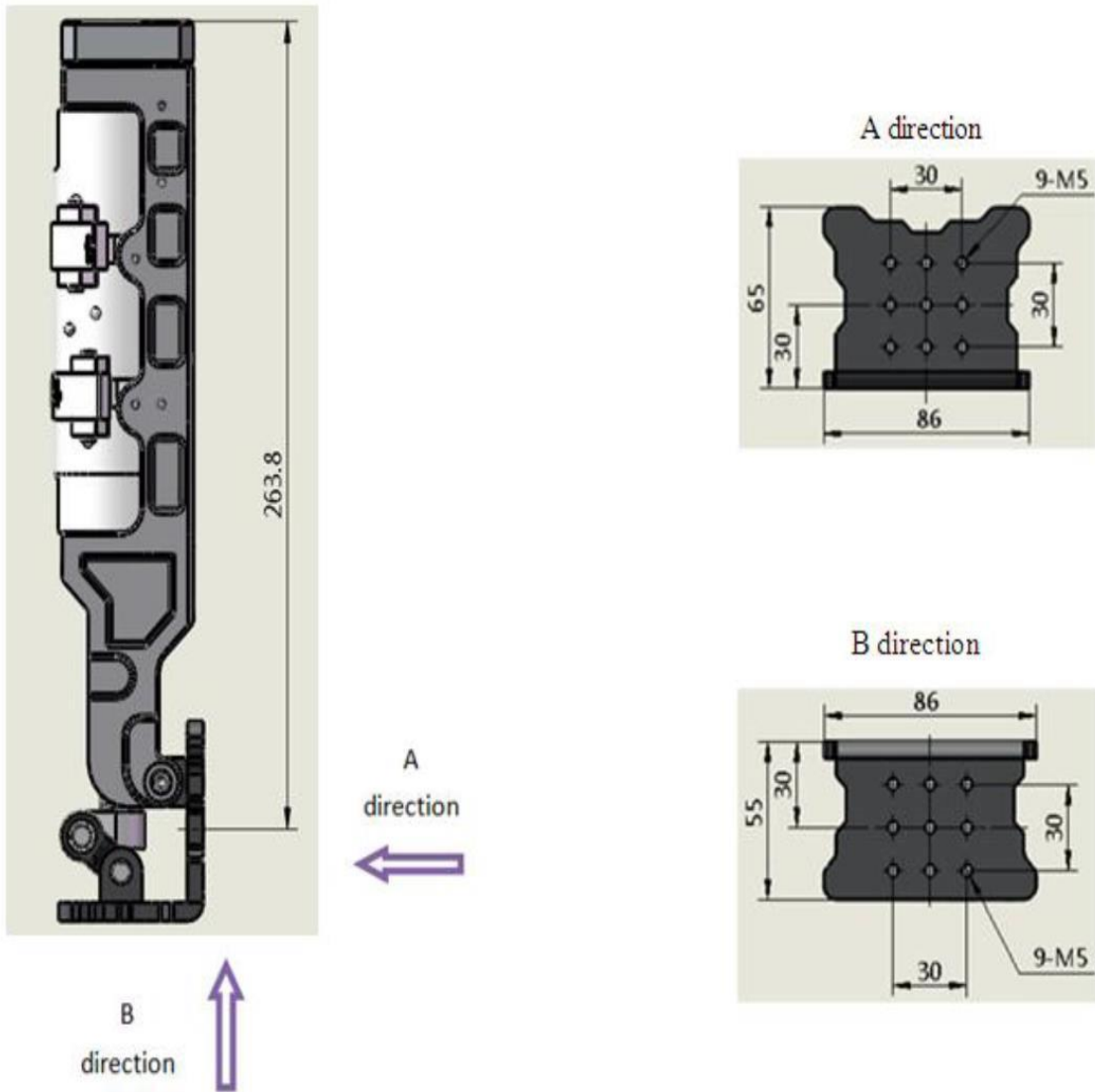
1.1 32# cylinder diameter (Old design), weight 1.7Kg, rated torque 2.9 N.m





Standard for STBW-II, STBW-25 (Optional for MaxBW06, MaxB08, MaxBW10)

1.2 1 40# cylinder diameter (Old design), weight 2.5Kg, rated torque 6.9 N.m



Questions or Comments?
Please Contact Absolute Robot Inc.

Absolute Robot Inc.
(508) 792-4305
service@absoluterobot.com
www.absoluterobot.com